



HE-12V7.7FR



CAREFREE RECHARGEABLE - LEAD ACID

Product Name	Sealed Lead Acid(SLA)
Technology	Flooded/Wet

APPLICATIONS

Airports; Industrial; Inventory Management;
 Medical; Military; Power Tools; Railroad
 Signals; Regional; Remote; Residential;
 Security; Solar/Wind; Specialized Products;
 Towers; UPS/Lighting

PERFORMANCE SPECIFICATIONS

Voltage (Volts)	12
Capacity (Amp-Hours)	7.7

DIMENSIONS AND WEIGHT

Width/Diameter (Inches)	2.56
Length/Depth (Inches)	5.95
Height/Thickness (Inches)	3.74
Weight (Pounds)	6.4

TERMINATIONS

Terminations	Springs
---------------------	---------

PRODUCT NOTES

High efficiency, terminal is tin plated brass, flame retardant ABS case

SPECIFICATIONS HE-6V7.7FR

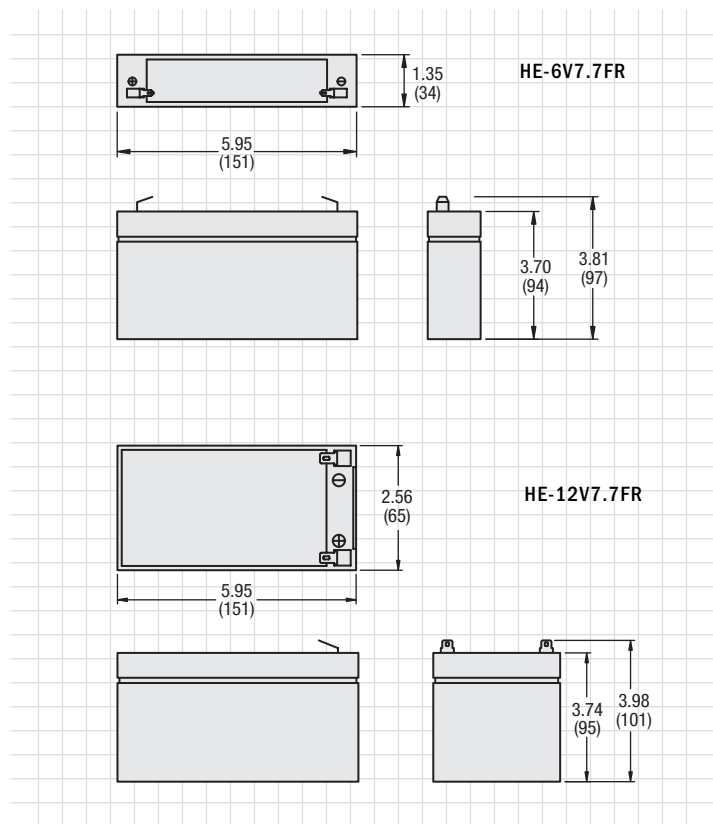
Nominal Voltage..... 6V
 Nominal Capacity at 77°F (25°C) Voltage readings are per cell
 20 Hour Rate (0.385 amps to 1.75 volts).. 7.70 ampere hours
 8 Hour Rate (0.870 amps to 1.75 volts).... 6.90 ampere hours
 5 Hour Rate (1.35 amps to 1.75 volts)..... 6.80 ampere hours
 1 Hour Rate (4.9 amps to 1.75 volts)..... 4.90 ampere hours
 1/2 Hour Rate (7.8 amps to 1.75 volts).... 3.90 ampere hours
 Max. Physical Size
 Length 5.95 inches (151mm)
 Width..... 1.35 inches (34mm)
 Height (excluding terminals) 3.70 inches (94mm)
 Height (including terminals)..... 3.81 inches (97mm)
 Weight 3.20 lbs (1.5kg)
 Energy Density
 (20 Hour Rate) 1.56 watt hrs/cu in
 (20 Hour Rate) 14.40 watt hrs/lbs
 Operating Temperature Range
 Discharge -60°F to +140°F (-51°C to +60°C)
 Charge 0°F to +120°F (-18°C to +49°C)
 Recharging Methods:
 Float Charging: Constant Potential Source of
 6.8 to 6.9 volts continuously.
 Routine Charging: Constant Potential Source of 7.3 to 7.5 volts
 with a charging current of 2.5 ampere maximum.
 Terminal:
 Standard is tin plated brass, positive terminal is 0.030 stock by
 0.250 wide, negative terminal is 0.030 stock by 0.250 wide,
 mates with Amp Faston series or equal.
 Case Material: Flame Retardant ABS



PRODUCT SCHEMATICS

SPECIFICATIONS HE-12V7.7FR

Nominal Voltage..... 12V
 Nominal Capacity at 77°F (25°C) Voltage readings are per cell
 20 Hour Rate (0.385 amps to 1.75 volts).. 7.70 ampere hours
 8 Hour Rate (0.870 amps to 1.75 volts).... 6.90 ampere hours
 5 Hour Rate (1.35 amps to 1.75 volts)..... 6.80 ampere hours
 1 Hour Rate (4.9 amps to 1.75 volts)..... 4.90 ampere hours
 1/2 Hour Rate (7.8 amps to 1.75 volts).... 3.90 ampere hours
 Max. Physical Size
 Length 5.95 inches (151mm)
 Width..... 2.56 inches (65mm)
 Height (excluding terminals) 3.74 inches (95mm)
 Height (including terminals)..... 3.98 inches (101mm)
 Weight 6.40 lbs (2.9kg)
 Energy Density
 (20 Hour Rate) 1.64 watt hrs/cu in
 (20 Hour Rate) 14.40 watt hrs/lbs
 Operating Temperature Range
 Discharge -60°F to +140°F (-51°C to +60°C)
 Charge 0°F to +120°F (-18°C to +49°C)
 Recharging Methods:
 Float Charging: Constant Potential Source of
 13.6 to 13.8 volts continuously.
 Routine Charging: Constant Potential Source of 14.6 to 15.0
 volts with a charging current of 2.5 ampere maximum.
 Terminal:
 Standard is tin plated brass, positive terminal is 0.030 stock by
 0.250 wide, negative terminal is 0.030 stock by 0.250 wide,
 mates with Amp Faston series or equal.
 Case Material: Flame Retardant ABS



Above data are average values which can be obtained within
 3 charge/discharge cycles. These are not minimum values.